

Product catalogue 2017

Carutti.



CARIITTI OY

Cariitti Oy is a family-owned company, situated in Espoo, near to Helsinki. The lighting story started when the founder of the company, Kari Ruokonen, was a little boy. This is his story how it all began:

“When I was a little boy at the end of the 1940s, we did not have many toys. One day a flashlight in a shop caught my eye. How fun would it be to illuminate a dim forest or a dark cellar. What a sense of security would it give to light it up when waking up in the middle of the night. The price of the flashlight was 90 pennies. My weekly allowance was 10 pennies. For nine weeks I saved to fulfil my dream. What joy I experienced when at last I could buy it!

Later, lighting became my profession. Many things have happened during the passed decades. As an example, we are the first company in the world that ever illuminated a sauna with optic fibres. This became a trend, and it has been so interesting to see its development. The story has just begun, and it is continuously developing to new dimensions.

My son Peter continues my work. He is the third generation torchbearer. My task is to pass the silent knowledge to next generations. I find it rewarding to follow the sales and story of the products that I have designed – after all, they are almost like my own children.”

CONTENTS

Sauna lighting sets	5
Sauna fibre optic fittings	8
Steam room lights	13
Pool lights	18
Starlight sets	20
Chandeliers and curtain partitions	26
Bathroom lights	28
Downlights	30
Wall lights	32
Fibre optic projectors	34
Optic fibres	36
Lenses and fittings	42
Crystal fittings	43
Power supplies and control modules	45
Indirect and kitchen lighting	48

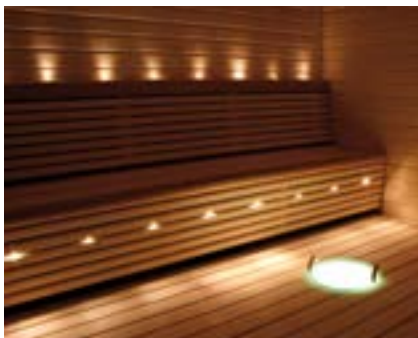






SAUNA LIGHTING SETS

Cariitti sauna lighting systems are the most comprehensive and advanced solutions on the market. Our product range includes standard sets for sauna seat and ceiling illumination and also a wide range of fibre optic fittings for a sauna. With Cariitti fibre optic illumination the possibilities are unlimited - use your imagination. In addition to standard sauna sets we produce individual solutions and lengths to order.

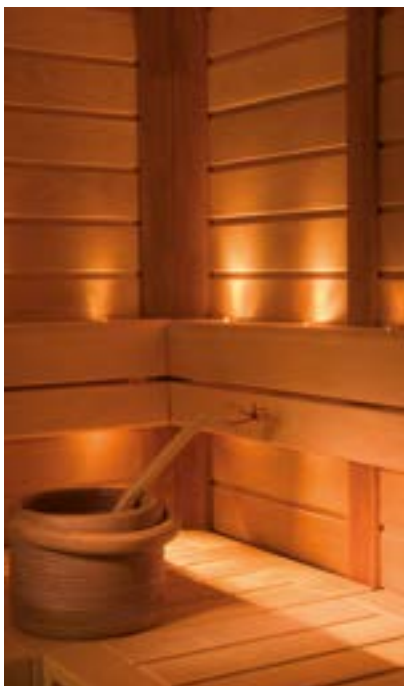
Glass fibre Sauna Seat Sets enable you to create illumination even in an existing sauna. The projector VPAC-1527 has the colour temperature 2700K which is warm and well suited for a sauna. All sauna lighting fittings can be installed to fibres with a crimpable ferrule (1538020, page 42) which comes with each fitting.

SEAT SETS



Sauna size recommendation	Lengths S-Flex 2 (S-Flex 4)	Type	Lens	Code	
1 - 4 m ²	4 x 1.4 m 4 x 1.7 m 2 x 2.0 m (1 x 4.0 m)	VPAC-1527-G211		1516708	
2 - 5 m ²	4 x 1.4 m 4 x 1.7 m 4 x 2.0 m 2 x 2.3 m 2 x 2.6 m (1 x 4.0 m)	VPAC-1527-G217		1516709	
3 - 6 m ²	4 x 1.4 m 4 x 1.7 m 4 x 2.0 m 4 x 2.3 m	2 x 2.6 m 2 x 2.9 m 2 x 3.2 m (1 x 4.0 m)	VPAC-1527-G223		1516710
4 - 8 m ²	4 x 1.4 m 4 x 1.7 m 4 x 2.0 m 4 x 2.3 m 4 x 2.6 m	2 x 2.9 m 2 x 3.2 m 2 x 3.5 m 2 x 3.8 m (1 x 4.0 m)	VPAC-1527-G229		1516711

SEAT SETS WITH COLOUR CHANGE



Sauna size recommendation	Lengths S-Flex 2 (S-Flex 4)	Type	Lens	Code	
1 - 4 m ²	4 x 1.4 m 4 x 1.7 m 2 x 2.0 m (1 x 4.0 m)	VPL30C-G211		1516610	
2 - 5 m ²	4 x 1.4 m 4 x 1.7 m 4 x 2.0 m 2 x 2.3 m 2 x 2.6 m (1 x 4.0 m)	VPL30C-G217		1516611	
3 - 6 m ²	4 x 1.4 m 4 x 1.7 m 4 x 2.0 m 4 x 2.3 m	2 x 2.6 m 2 x 2.9 m 2 x 3.2 m (1 x 4.0 m)	VPL30C-G223		1516612
4 - 8 m ²	4 x 1.4 m 4 x 1.7 m 4 x 2.0 m 4 x 2.3 m 4 x 2.6 m	2 x 2.9 m 2 x 3.2 m 2 x 3.5 m 2 x 3.8 m (1 x 4.0 m)	VPL30C-G229		1516613

Glass fibre Sauna Lighting Sets can be installed in the sauna benches or ceiling. Sauna Lighting Sets include a dimmable Led projector which ensures a low energy consumption and a very long lifetime. The projector is completely silent and produces just a small amount of heat. A high Ra index >90 together with a warm 2700K Led ensures an atmospheric sauna lighting.

CEILING SETS



Sauna size recommendation	Lengths	Locking rings	Lens	Ferrule	Active ø	Type Code
1 - 4 m ²	1 x 2.5 m 2 x 3.0 m 1 x 3.5 m 1 x 3.5 m			M5 M5 M5 M8	2 mm 2 mm 2 mm 4 mm	VPAC-1527-B532 1516700
3 - 5 m ²	2 x 2.0 m 3 x 2.5 m 2 x 3.0 m			M5 M5 M5	3 mm 3 mm 3 mm	VPAC-1527-F325 1516701
3 - 5 m ²	2 x 3.0 m 3 x 3.5 m 2 x 4.0 m			M5 M5 M5	3 mm 3 mm 3 mm	VPAC-1527-F335 1516702
3 - 5 m ²	15 x 3.0 m 7 x 3.0 m 1 x 3.0 m			ø3 M5 M8	1 mm 2 mm 4 mm	VPAC-1527-M233 1516703
3 - 5 m ²	2 x 2.5 m 3 x 3.0 m 2 x 3.5 m 1 x 3.5 m			M5 M5 M5 M5	2 mm 2 mm 2 mm 3 mm	VPAC-1527-S832 1516704
4 - 6 m ²	5 x 3.5 m 5 x 4.0 m 1 x 3.5 m			M5 M5 M8	2 mm 2 mm 4 mm	VPAC-1527-N211 1516705
5 - 10 m ²	2 x 2.0 m 3 x 3.0 m 3 x 4.0 m 2 x 5.0 m 1 x 4.0 m			M5 M5 M5 M5 M8	3 mm 3 mm 3 mm 3 mm 6 mm	VPAC-1527-L114 1516706
5 - 10 m ²	5 x 3.5 m 5 x 4.0 m 5 x 4.5 m 5 x 5.0 m 1 x 3.5 m			M5 M5 M5 M5 M8	2 mm 2 mm 2 mm 2 mm 4 mm	VPAC-1527-N221 1516707

VPL10 SAUNA LIGHTING SETS



VPL10 - E511 1W
Code 1524011

- S-Flex 1.5: 5 x 2.5 m
- S-Flex 2: 1 x 4.5 m

VPL10 - E161 1W
Code 1524010

- S-Flex 1.5: 5 x 1.5 m, 6 x 2.0 m, 5 x 2.5 m
- 230V / 1W / 350 mA / IP55
- 3000K / Ra >85
- Stove lens included
- Not dimmable

NORTHERN LIGHTS SETS WITH PROJECTOR VPL30NL



Sauna size recommendation	Fibres \varnothing 7 mm + Linear 1 m	Type	Code
1 - 4 m ²	1 x 1.2 m + Linear 1 x 2.2 m + Linear	VPL30NL - N2M	1516620
3 - 6 m ²	2 x 1.2 m + Linear 2 x 2.2 m + Linear	VPL30NL - N4M	1516621

FIRE FLAME SET WITH PROJECTOR VPL30FL



3 - 5 m ²	10 x 3.0 m			M5	2 mm	VPL30FL-F310 1516630
----------------------	------------	--	--	----	------	-------------------------



SAUNA LINEAR SETS



SAUNA LINEAR 4M
Code 1516650

- C-Flex 6: 2 x 1.5 m, 2 x 2.5 m
+ C-Flex 4: 2 x 0.2 m

SAUNA LINEAR 8M
Code 1516651

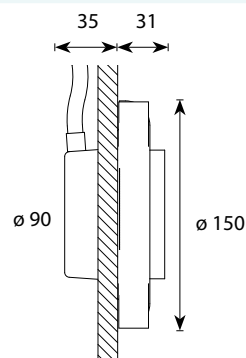
- C-Flex 6: 4 x 1.5 m, 4 x 3.3 m
+ C-Flex 4: 2 x 0.2 m

SAUNA LINEAR 4M with colour change
Code 1516652

SAUNA LINEAR 8M with colour change
Code 1516653

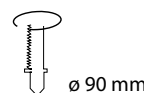
- Installation height max 1.5 m above the floor
- Length 2 m, can be cut
- Projector VPAC-1527 or VPL30C-BT included

SCA

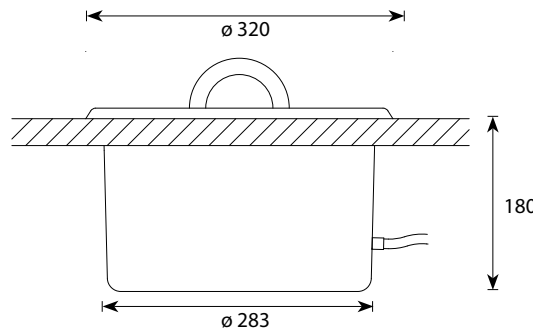


SCA
Code 1545803

- 1 x S-Flex 4 - 6 M8
- Wooden frame
- Satin glass
- Crimpable ferrule M8 included



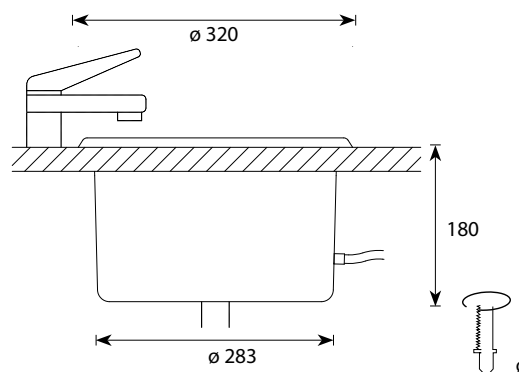
IB320 BOWL WITH WOODEN HANDLES



IB320 BOWL with wooden handles
Code 1545805

- 1 - 4 x S-Flex 3 - 6 M8
- 1 - 4 x C-Flex 3 - 6 M8
- Frosted glacier green acryl (satin)

IB320 BOWL WITH WATER OUTLET



IB320 BOWL with water outlet

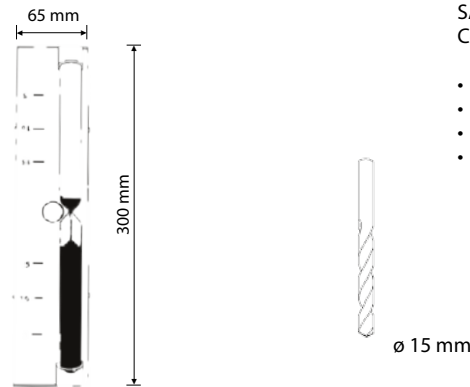
Code 1545804

- 1 - 4 x S-Flex 3 - 6 M8
- 1 - 4 x C-Flex 3 - 6 M8
- Frosted glacier green acryl (satin)
- Water accessories not included

Code 1545826

- 1 - 4 x S-Flex 3 - 6 M8
- 1 - 4 x C-Flex 3 - 6 M8
- Frosted glacier green acryl (satin)
- Outlet valve included

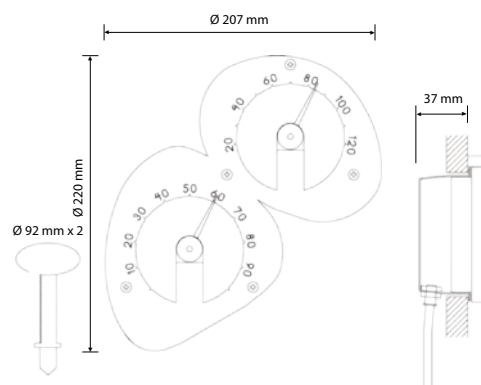
SAND TIMER



SAND TIMER
Code 1545827

- 1 x S-Flex 3 - 4 M8
- Stainless steel
- Glass
- Crimpable ferrule M8 included

THERMOMETER-HYGROMETER



THERMOMETER-HYGROMETER
Code 1545822

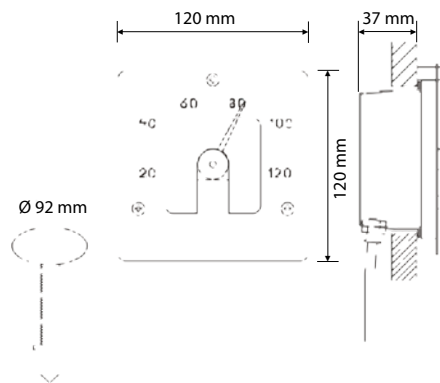
- 2 x S-Flex 2 - 4 M8
- Stainless steel
- Crimpable ferrules M8 included

Design: Frida Lindström

THERMOMETER SQ

THERMOMETER SQ
Code 1545828

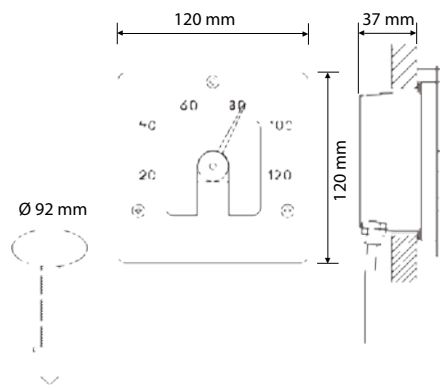
- 1 x S-Flex 2 - 4 M8
- Stainless steel
- Crimpable ferrule M8 included



HYGROMETER SQ

HYGROMETER SQ
Code 1545849

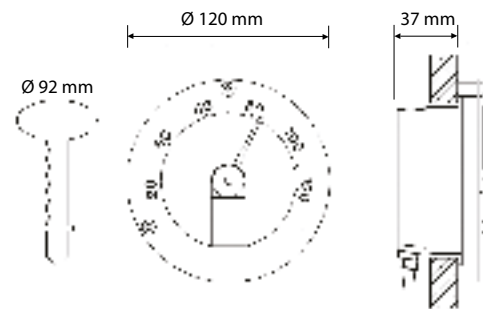
- 1 x S-Flex 2 - 4 M8
- Stainless steel
- Crimpable ferrule M8 included



THERMOMETER

THERMOMETER
Code 1545812

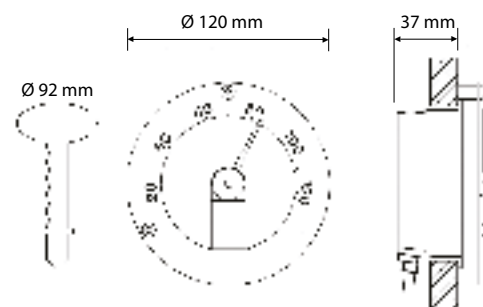
- 1 x S-Flex 2 - 4 M8
- Stainless steel
- Crimpable ferrule M8 included



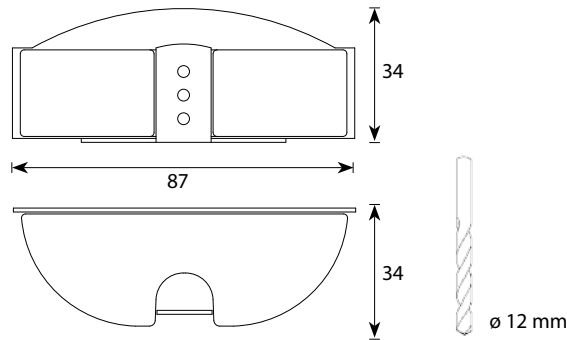
HYGROMETER

HYGROMETER
Code 1545820

- 1 x S-Flex 2 - 4 M8
- Stainless steel
- Crimpable ferrule M8 included



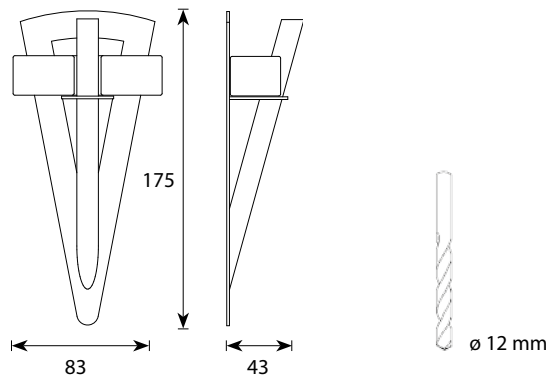
LIGHTHOUSE



LH-100
Code 1545802

- 1 x S-Flex 3 - 4 M8
- Stainless steel
- Satin glass
- Crimpable ferrule M8 included

TORCH



TL-100
Code 1545801

- 1 x S-Flex 3 - 4 M8
- Stainless steel
- Satin glass
- Crimpable ferrule M8 included

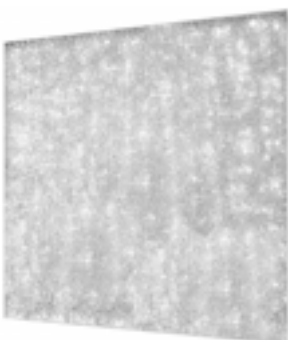
CANDELA



CANDELA
Code 1545250

- 1 x S-Flex 6 M8
- Plywood 13 mm
- Size H715 x W420 x D13 mm

ARCTIC SKY



ARCTIC SKY
Code 1589030

Crushed glass panel 500 x 500 x 30 mm, like a painting. To be illuminated with one 6 mm fibre, installed in the middle back side of the panel. Can be installed on a sauna wall. A dashing and therapeutic element that changes character according to the chosen light effect.

Depending on the chosen projector you can create effects like fire flame, northern lights or colour change. With clear white light the panel looks like crushed ice.

- 1 x S-Flex 6 M8

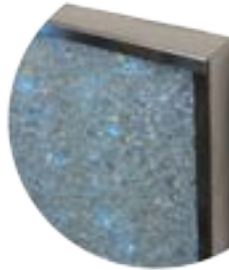
FANTASIA

FANTASIA
Code 1589017

Crushed glass panel 1000 x 500 x 35 mm is like a painting. Fantasia is illuminated with two 6 mm fibres and it can be installed in a sauna behind an electric heater. A dashing and therapeutic element that changes character according to the chosen light effect.

Depending on the chosen projector you can create effects like fire flame, northern lights or colour change. With clear white light Fantasia looks like crushed ice. The projector and fibres to be ordered separately.

- 2 x S-Flex 6 M8



FANTASIA FIBRE HARNESS F602
Code 1506015

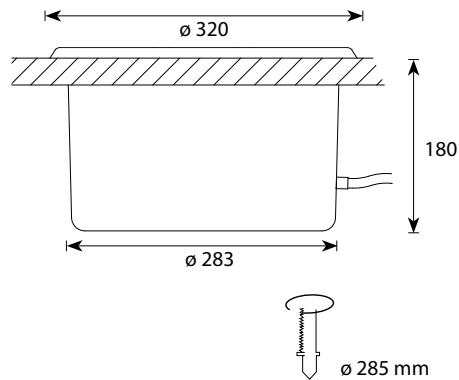
- S-Flex 6: 2 x 3 m M8



IB320 LED ILLUMINATED BOWL

WITH HANDLES • Code 1545200
 WITH WATER OUTLET • Code 1545220
 WITH OUTLET VALVE • Code 1545221

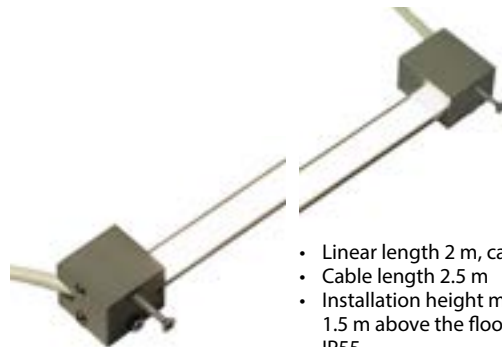
- 1 W / 350 mA
- Power supply included
- Cable length 5 m
- Installation height max 1 m above the floor
- Frosted glacier green acryl (satin)
- IP67



SAUNA LINEAR LED

SAUNA LINEAR LED 2M
 Code 1516661

- Installed on the wall or under the benches
- 2 x Led 1 W
- Anodized aluminium
- Ready to install set, power supply included



- Installation height of the power supply max 0.8 m above the floor
- Not dimmable, IP55

- Linear length 2 m, can be cut
- Cable length 2.5 m
- Installation height max 1.5 m above the floor
- IP55





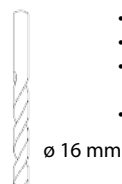
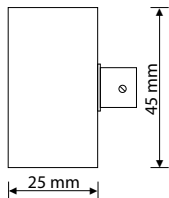
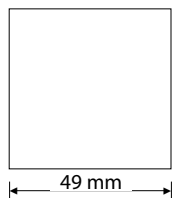
STEAM ROOM LIGHTS

Cariitti steam room lights are Led lights, rated IP67. The selection includes various crystal lights, sconces and traditional downlights.



These Led lights are easy to install, IP67. NB! Serial connection only. 3000 K.

SY IP67

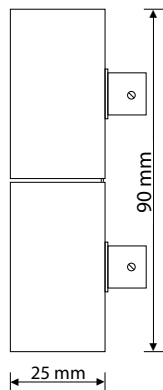
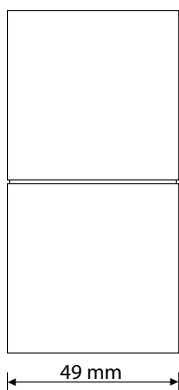


SY Stainless steel
Code 1545170

SY Gold
Code 1545171

- 1 W / 350 mA
- SY gives light up or down
- Equipped with a 5 m connection cable
- Power supply to be ordered separately, see page 45
- IP67

SX II IP67

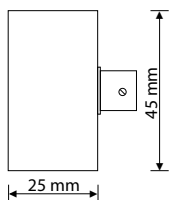
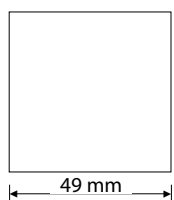


SX II Stainless steel
Code 1545191

SX II Gold
Code 1545192

- 2 x 1 W / 350 mA
- SX gives light up and down
- Equipped with two 5 m connection cables
- Power supply to be ordered separately, see page 45
- IP67

SY SQ IP67

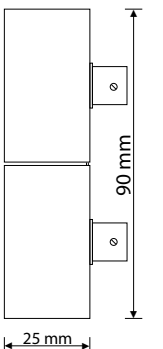
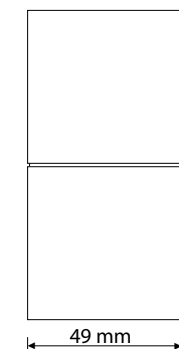


SY SQ Stainless steel
Code 1545230

SY SQ Gold
Code 1545231

- 1 W / 350 mA
- SY gives light up or down
- Equipped with a 5 m connection cable
- Power supply to be ordered separately, see page 45
- IP67

SX II SQ IP67



SX II SQ Stainless steel
Code 1545232

SX II SQ Gold
Code 1545233

- 2 x 1 W / 350 mA
- SX gives light up and down
- Equipped with two 5 m connection cables
- Power supply to be ordered separately, see page 45
- IP67

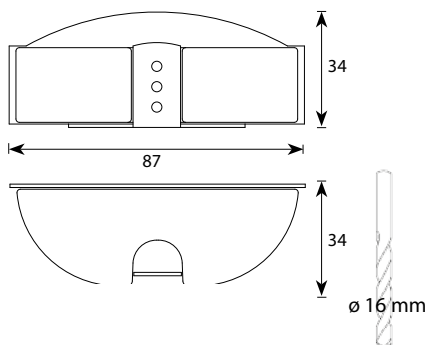
These Led lights are easy to install, IP67. NB! Serial connection only. 3000 K.

LIGHTHOUSE IP67

LH-100 Led
Code 1545164

Stainless steel
Satin glass

- 1 W / 350 mA
- Equipped with a 5 m connection cable
- Power supply to be ordered separately, see page 45
- Recess 40 mm
- IP67

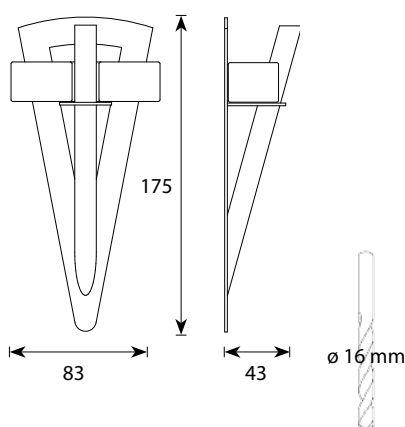


TORCH WITH ACRYLIC PIN IP67

TL-100 Acryl
Code 1545165

Stainless steel
Satin glass

- 1 W / 350 mA
- Equipped with a 5 m connection cable
- Power supply to be ordered separately, see page 45
- Recess 40 mm
- IP67



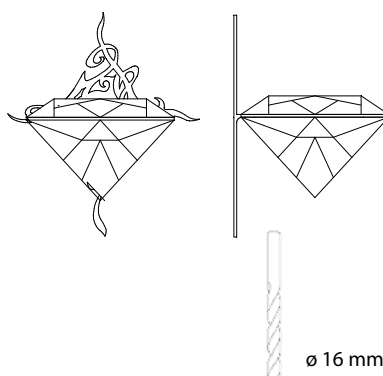
KIHLA

KIHLA
Code 1545184

KIHLA Gold
Code 1545185

- 1 W / 350 mA
- Lead-free crystal
- Stainless steel or gold-plated brass
- Equipped with a 5 m connection cable
- Power supply to be ordered separately, see page 45
- IP67
- Dimensions: H175 x W155 x D94 mm

Design: Frida Lindström

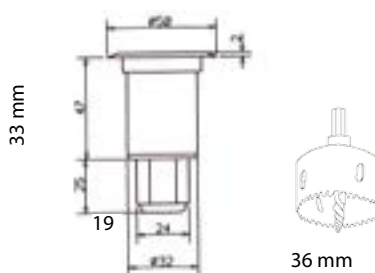


S-PAVER 3200 IP68

S-PAVER 3200 IP68
Code 1553034

S-PAVER 3200 Gold IP68
Code 1545217

- 1 W / 350 mA
- Ideal for steam room lighting
- Equipped with a 5 m connection cable
- Power supply to be ordered separately, see page 45
- Available also in ready-made kits, see p. 19
- IP68

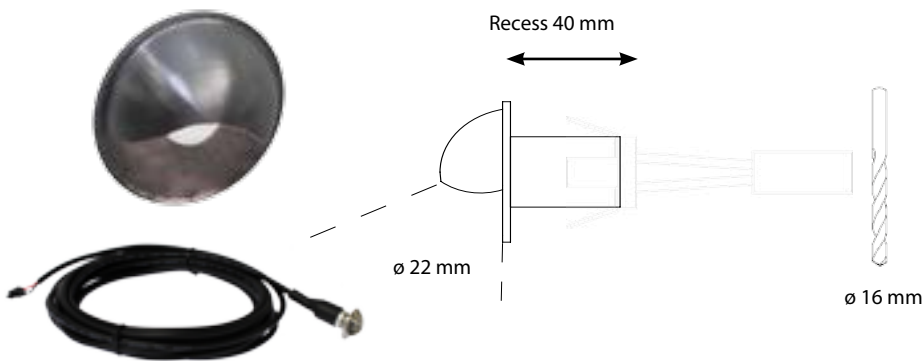


NB! All S-Paver fittings are delivered with both clear and satin glass.

These Led lights are easy to install, IP67. NB! Serial connection only. 3000 K.



GP-65 IP67



GP-65 IP67
Code 1545167 Stainless steel

- 1 W / 350 mA
- Directs light downwards and is ideal e.g. for terraces and steam rooms
- Equipped with a 5 m connection cable
- Power supply to be ordered separately, see page 45
- IP67

NEO IP67

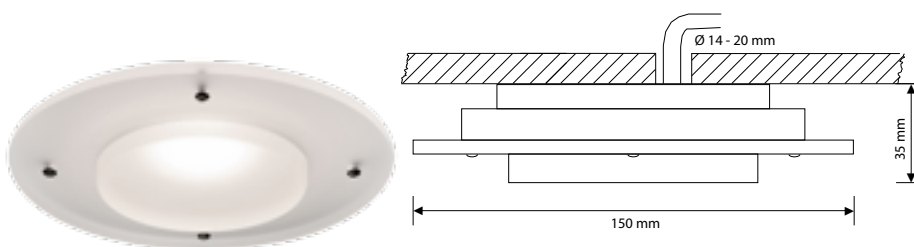


NEO GOLD IP67
Code 1545234

NEO CHROME IP67
Code 1545237

- 3 W / 350 mA
- Satin glass
- Diameter 74 mm
- Installation hole 55 - 60 mm
- Recess 50 mm
- Equipped with a 5 m connection cable
- Power supply to be ordered separately, see page 45
- IP67

KUU SATIN IP67



KUU SATIN IP67
Code 1545238

Acrylic frame
Satin glass

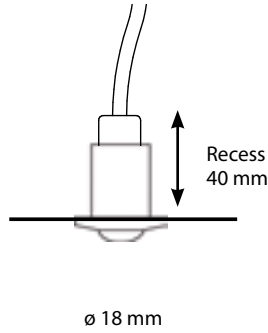
- 3 W / 350 mA or 6 W / 700 mA
- Equipped with a 5 m connection cable
- Power supply to be ordered separately, see page 45
- IP67

These Led lights are easy to install, IP67. NB! Serial connection only. 3000 K.

CR-05 LED IP67

CR-05 Led
 Code 1545215 Satin Chrome
 Code 1545216 Clear Chrome
 Code 1545218 Satin Gold
 Code 1545219 Clear Gold

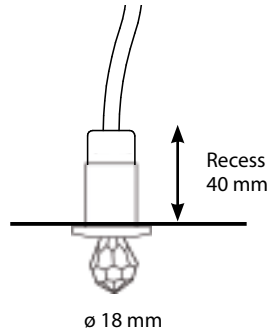
- 1 W / 350 mA
- Equipped with a 5 m connection cable
- Power supply to be ordered separately, see page 45
- IP67



CR-16 LED IP67

CR-16 Led
 Code 1545235 Gold
 Code 1545236 Chrome

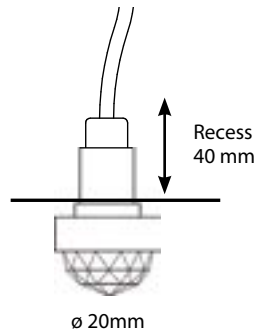
- 1 W / 350 mA
- Equipped with a 5 m connection cable
- Power supply to be ordered separately, see page 45
- IP67



CR-20 LED IP67

CR-20 Led
 Code 1545187 Gold
 Code 1545186 Chrome

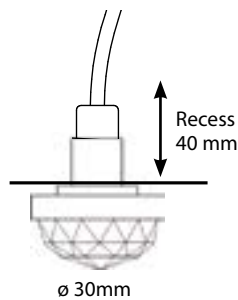
- 1 W / 350 mA
- Equipped with a 5 m connection cable
- Power supply to be ordered separately, see page 45
- IP67



CR-30 LED IP67

CR-30 Led
 Code 1545189 Gold
 Code 1545188 Chrome

- 1 W / 350 mA
- Equipped with a 5 m connection cable
- Power supply to be ordered separately, see page 45
- IP67





POOL LIGHTS

Cariitti pool lights are well suited for the illumination of pools and jacuzzis. With pool lights you can also illuminate steams rooms and walkways of moist areas and emphasize beautiful details better than with any traditional lights .

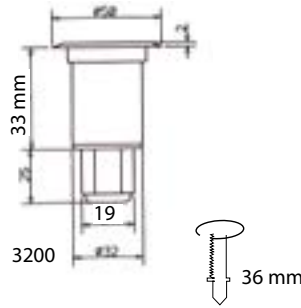
NB! Serial connection only. Luminaire equipped with a 5 m connection cable. Power supply to be ordered separately, see page 45. Also available a ready-to-install extension cable length 5 m (with IP67 connector), code 1532242.

S-PAVER

S-PAVER 3200
Code 1553034

S-PAVER 3300
Code 1553037

1W – 350 mA, 3000 K
IP68

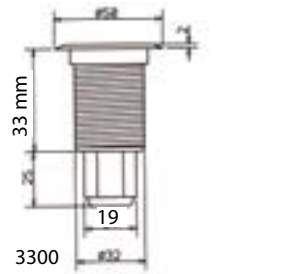


3200

S-PAVER RGBW 3200
Code 1553036



S-PAVER RGBW 3300
Code 1553039



3300

RGBW 5W – 350 mA
IP68

Installing accessories for S-Paver 3200

PP32-S14 TUBE
Code 1553020

PP32-S16 PLUG
Code 1553021



ø 32 mm/49 mm ← → 85 mm

NB! All S-Paver fittings are delivered with both clear and satin glass. Material AISI 316L.

S-PAVER KIT

S-PAVER 3200 Kit 4 Code 1545174
S-PAVER 3200 Kit 6 Code 1545175

S-PAVER 3300 Kit 4 Code 1545176
S-PAVER 3300 Kit 6 Code 1545177

The Kits include 4 or 6 pcs of S-Paver lights, each equipped with a 5 m connection cable, and with a power supply and serial connection module.

NB! All S-Paver fittings are delivered with both clear and satin glass. Material AISI 316L.



S-PAVER RGBW KIT

S-PAVER RGBW 3200 Kit 5
Code 1545198



S-PAVER RGBW 3300 Kit 5
Code 1545178



The Kits include 5 pcs of S-Paver lights, each equipped with a 5 m connection cable, and a connection box with a power supply and serial connection module.

NB! All S-Paver fittings are delivered with both clear and satin glass. Material AISI 316L.





STARLIGHT SETS

Cariitti Starlight sets include a projector and fibres. Some projectors have twinkle effect which makes the starlight slowly twinkle. Starlight sets are also available with crystals which create an even more beautiful effect.

STARRY SKY SIZE RECOMMENDATION

SURFACE AREA	1-2 m ²	2 - 3 m ²	3 - 4 m ²	4 - 6 m ²	6 - 10 m ²	10 - 20 m ²
THESE NUMBERS ARE RECOMMENDATIONS. BY USING CRYSTALS THE NUMBER OF FIBRE STRANDS CAN BE REDUCED.	75 pcs	75-100 pcs	75-150 pcs	100-200 pcs	150-300 pcs	300-600 pcs

VPL10 SETS WITH 75 FIBRES

Power	Fibre length 4.0 m	Total stars	Fibre	Type	Code	K
1 W	75	75	CK 0,75 mm	VPL10L-75	1527401	3000 K
1 W	75	75	CK 0,75 mm	VPL10K-75	1527403	4000 K



VPL10 CRYSTAL STAR

Power	Fibre length 4.0 m	Total stars	Fibre	Type	Code	K
1 W	75	75	CK 0,75 mm	VPL10K-75 Chrome	1527412	4000 K
1 W	75	75	CK 0,75 mm	VPL10L-75 Gold	1527413	3000 K

These sets include a plastic fibre harness , projector VPL10 and 7 Led crystals: 2 x CR-12, 3 x CR-16 and 2 x CR-31.



ADDITION TO VPL10K CRYSTAL STAR

Code 1527414

- Includes 75 fibres, each 4 m long
- Power supply not included
- Can be used with VPL10K Crystal Star only



VPAC STANDARD SETS

2,0 m	2,5 m	3,0 m	3,5 m	4,0 m	Total stars	Fibre	Type	Code
25	25	25			75	CK 0,75 mm	VPAC-1530-CEP75	1527458
25	25	25			75	CK 0,75 mm	VPAC-1540-CEP75	1527459
25	50	25			100	CK 0,75 mm	VPAC-1530-CEP100	1527460
25	50	25			100	CK 0,75 mm	VPAC-1540-CEP100	1527461
50	50	50			150	CK 0,75 mm	VPAC-1530-CEP150	1527462
50	50	50			150	CK 0,75 mm	VPAC-1540-CEP150	1527463
25	50	50	50	25	200	CK 0,75 mm	VPAC-1530-CEP200	1527464
25	50	50	50	25	200	CK 0,75 mm	VPAC-1540-CEP200	1527465



These sets include a plastic fibre harness and a VPAC projector. Projector VPAC-1530 has a warm Led 3000K and projector VPAC-1540 a cold Led 4000K - choose your favorite.



VPL30 CRYSTAL STAR

2,0 m	2,5 m	3,0 m	3,5 m	Total stars	Fibre	Type	Code
25 / 4	25 / 5	25 / 5	25 / 4	118	CK 0,75 / C-Flex 3	VPL30T Crystal Star Chrome	1527610
25 / 4	25 / 5	25 / 5	25 / 4	118	CK 0,75 / C-Flex 3	VPL30T Crystal Star Gold	1527611
25 / 4	25 / 5	25 / 5	25 / 4	118	CK 0,75 / C-Flex 3	VPL30CT-Crystal Star Chrome	1527612
25 / 4	25 / 5	25 / 5	25 / 4	118	CK 0,75 / C-Flex 3	VPL30CT-Crystal Star Gold	1527613



Crystal Star sets include a plastic fibre harness with 100 pcs of thin (0,75mm) fibres and 18 pcs of thicker (3mm) fibres with Crystal fittings, 6 x CR-12, 6 x CR-16 and 6 x CR-31. The light sources of the projector are white Leds with twinkle effect (T) or blue Leds with blue twinkle effect (CT).

VPL30 STANDARD SETS WITH TWINKLE EFFECT

2,0 m	2,5 m	3,0 m	3,5 m	4,0 m	4,5 m	Total stars	Fibre	Type	Code
25	25	25				75	CK 0,75 mm	VPL30T-CEP75	1527600
25	50	25				100	CK 0,75 mm	VPL30T-CEP100	1527601
50	50	50				150	CK 0,75 mm	VPL30T-CEP150	1527602
25	50	50	50	25		200	CK 0,75 mm	VPL30T-CEP200	1527603
25	50	75	75	50	25	300	C-Flex	VPL30T-300	1527608



These sets include a plastic fibre harness and a projector with white Leds as the light source. The projector has a twinkle effect (T) that makes the stars slowly twinkle imitating the real starry sky.

VPL30 STANDARD SETS WITH BLUE TWINKLE EFFECT

2,0 m	2,5 m	3,0 m	3,5 m	4,0 m	4,5 m	Total stars	Fibre	Type	Code
25	25	25				75	CK 0,75 mm	VPL30CT-CEP75	1527604
25	50	25				100	CK 0,75 mm	VPL30CT-CEP100	1527605
50	50	50				150	CK 0,75 mm	VPL30CT-CEP150	1527606
25	50	50	50	25		200	CK 0,75 mm	VPL30CT-CEP200	1527607
25	50	75	75	50	25	300	C-Flex	VPL30CT-300	1527609



These sets include a plastic fibre harness and a projector with blue Leds as the light source. The projector has a blue twinkle effect (CT) that makes the stars slowly twinkle in bluish colours imitating the real starry sky.

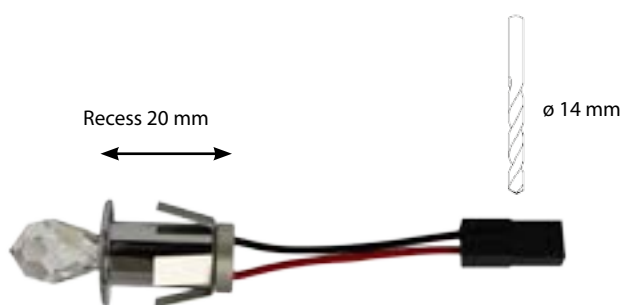
Led crystals and SADE lights are easy to install with the enclosed locking springs. Installation hole \varnothing 14 mm. Installation surface minimum 6 mm. Led 1 W / 350 mA, IP44. NB! Serial connection only.

CRYSTAL KIT

CRYSTAL KIT 9, 4000 K
Code 1532126 Chrome
Code 1532128 Gold

CRYSTAL KIT 9, 3000 K
Code 1532127 Chrome
Code 1532129 Gold

Kit 9 is a ready-to-install set, including 3 pcs CR-12, 3 pcs CR-16 and 3 pcs CR-31 Swarovski crystals, a power cord set and power supply, IP44. Ideal to be used with starlight illumination.



SADE



SADE 345 Code 1545094

SADE 567 Code 1545096

- IP44
- Recess 20 mm
- Lead-free crystal
- Power supply to be ordered separately, see page 45

Lengths:

345: 95 / 115 / 135 mm

567: 135 / 155 / 175 mm

SADE Kit Code 1545098

- Lead-free crystal
- Includes 18 crystal lights of which 12 pcs with 345 crystals, 6 pcs with 567 crystals, a power cord set and power supply. A ready-to-install set.

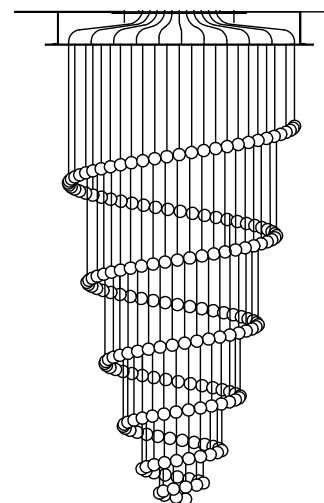




KIMMEL

FIBRE OPTIC CHANDELIERS WITH INTEGRATED LED PROJECTORS

Code	Type	Height	Diameter	WT	Crystals
1527810	Kimmel 1	180 cm	56 cm	11 kg	150
1527811	Kimmel 2	250 cm	66 cm	13 kg	200
1527812	Kimmel 3	350 cm	66 cm	25 kg	200
1527813	Kimmel 4	350 cm	98 cm	32 kg	250
1527814	Kimmel 5	450 cm	98 cm	34 kg	250



The fibre optic chandelier is comprising preinstalled threadlite tails fitted to a metal recessed base and applied with crystal fittings to form a ready-to-install chandelier package. Led projectors are integrated inside the luminaire. IP44.



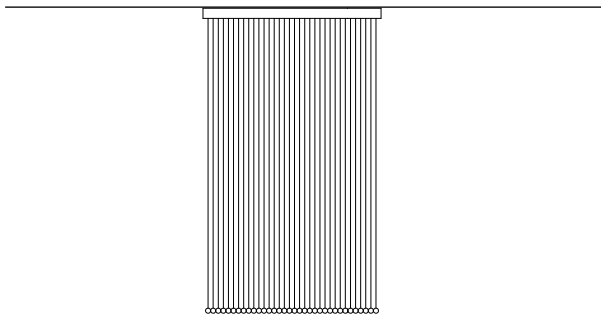
PIRTA

Code	Type	Height	Width	WT	Crystals
1527827	Flat 0.8	200 cm	80 cm	17 kg	80
1527826	Flat 1.2	200 cm	120 cm	26 kg	120
1527829	Flat 1.6	200 cm	160 cm	34 kg	160

CURTAIN PARTITIONS WITH INTEGRATED LED PROJECTORS

The fibre optic curtain partition is comprising preinstalled threadlite tails fitted to a metal recessed base and applied with crystal fittings to form a ready-to-install curtain package. Led projectors are integrated inside the luminaire. IP44.

The curtain partition can be installed on a ceiling or wall, to be specified upon order. Other lengths are available on order.



Pirta Flat





BATHROOM LIGHTS

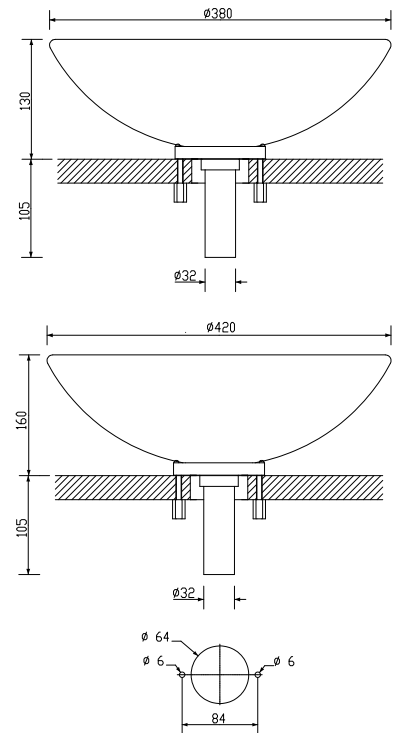
In Cariitti bathroom creations, traditional lighting fixtures are replaced by Led illuminated glass basins and towel hooks.

GLASS BASIN ø 380

Code 1545672
 Max. power 6 W, IP67
 A 5 m connecting cable included.
 Complete kit, a power supply IP20 included.

GLASS BASIN ø 420

Code 1545673
 Max. power 6 W, IP67
 A 5 m connecting cable included.
 Complete kit, a power supply IP20 included.



• Sizes Ø 380 and 420 mm

Recommended ambient temperature from -30°C to +40°C.

CRB-30

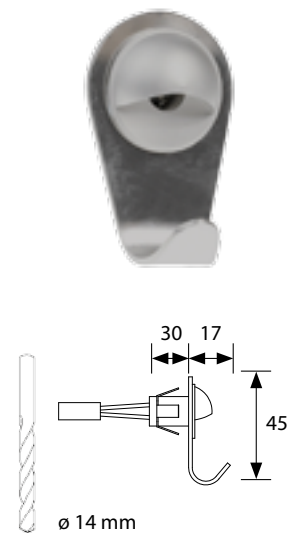
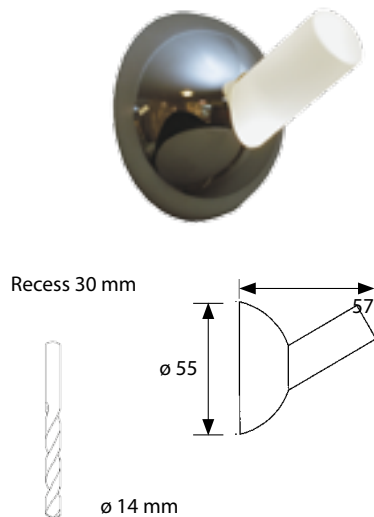
CRB-30
 Code 1545677

- Stainless steel
- Satin glass
- A 5 m connecting cable included
- Power supply to be ordered separately, see page 45
- Installing hole ø 14 mm
- IP44

GP TOWEL HOOK

GP Towel hook
 Code 1545665

- Stainless steel
- A 5 m connecting cable included
- Power supply to be ordered separately, see page 45
- Installing hole ø 14 mm
- IP44

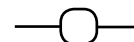


AMONET



Aluminium frame
Satin glass

- Diameter 80 mm
- Recess 55 mm
- Installation to a mounting box or 52 mm hole
- Supply voltage Led light, no transformer needed, Triac dimmable



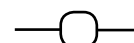
Type	Code	Power W	Voltage V	IP	Ra	K	Lumen
AMONET CHROME	1554007	4 W	230 V	IP44	>80	3000 K	182 lm
AMONET WHITE	1554008	4 W	230 V	IP44	>80	3000 K	182 lm

IRIS



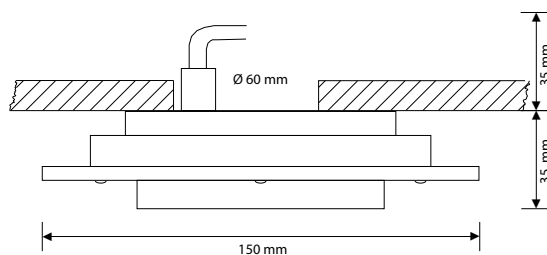
Aluminium frame
Satin glass

- Diameter 112 mm
- Recess 55 mm
- Installation to a junction box or 67 mm hole
- Supply voltage Led light, no transformer needed, Triac dimmable



Type	Code	Power W	Voltage V	IP	Ra	K	Lumen
IRIS CHROME	1554021	8 W	230 V	IP44	>80	3000 K	391 lm
IRIS WHITE	1554022	8 W	230 V	IP44	>80	3000 K	391 lm

KUU SATIN 230



Acrylic frame
Satin glass

- Installation to a junction box or 60 mm hole
- Supply voltage Led light, no transformer needed, Triac dimmable



Type	Code	Power W	Voltage V	IP	Ra	K	Lumen
KUU SATIN 230	1554006	8 W	230 V	IP44	>80	3000 K	421 lm

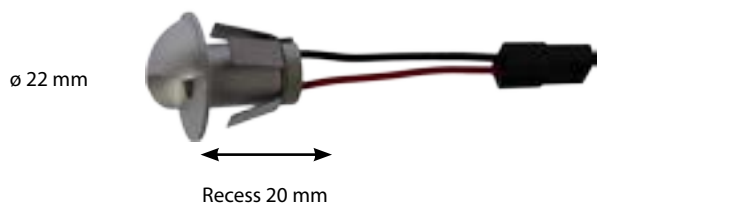


GP-65 KIT

GP-65 KIT 9, 3000 K
Code 1532114

GP-65 KIT 18, 3000 K
Code 1532116

- Directs light downwards, ideal for staircases
- Mains dimmable power supply included
- 9 x 1 W / 18 x 1 W, IP44
- 70 lm

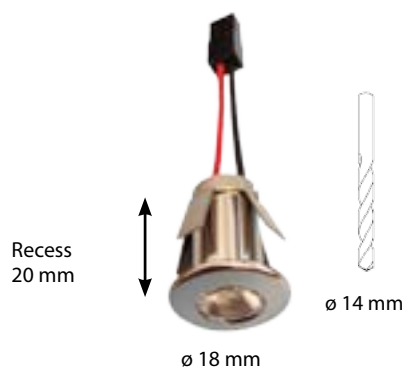


CR-KIT

CR-36 Kit • Light opening angle 36 °
Code 1545890 Gold
Code 1545891 Chrome
Code 1545892 White

CR-70 Kit • Light opening angle 70 °
Code 1545899 Gold
Code 1545900 Chrome
Code 1545902 White

- 9 x 1 W
- 350 mA
- 3000 K / 85 lm
- IP44
- Installation with locking springs
- Includes 9 pcs of lights, a power cord set and mains dimmable power supply.

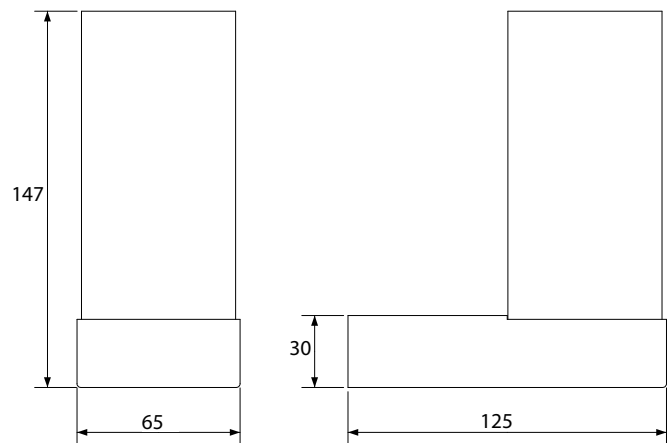


TOIVE



TOIVE	Code 1527844
TOIVE 1150 mm	Code 1527848
TOIVE 1650 mm	Code 1527849

- 2 x 1 W
- 350 mA
- Stainless steel frame
- Lead-free crystal
- Power supply included
- Surface mounted acrylic panel 1150/1650 x 200 mm



Toive is a modern and decorative crystal light fitting. The light reflects through the crystals and creates beautiful and exciting figures on the wall. The colour of the downlight is warm white. Toive is available also with surface mounted acrylic panel.

Design: Frida Lindström

ARCTIC SKY

ARCTIC SKY white
Code 1589031

- IP44
- 230V / 3 W / 700 mA
- Power supply IP20 included
- Size 500 x 500 x 30 mm

ARCTIC SKY RGBW
Code 1589032

- IP44
- 230V / 5 W / 350 mA
- Power supply IP20 included, which allows the connection of max 5 panels
- Size 500 x 500 x 30 mm

ARCTIC SKY RGBW (without power supply)
Code 1589035

- IP44
- 5 W / 350 mA
- Size 500 x 500 x 30 mm

ARCTIC SKY is a modular light element with decorative lighting effect. The luminaire is made of Arctic Crystal crushed glass which creates crystal-like sparkling in the light. The integrated optic fibres inside the element illuminate the whole surface of the light. The light source is a white Led or a colour changing RGBW Led.

Design: Solulight



PROJECTORS

Among the range of Cariitti projectors you will easily find a model to suit your own lighting solutions and type of installation.

All our projectors are equipped with an Led light source. This ensures the excellent light quality and long lifetime. The product range includes also RGBW projectors with colour change, as well as projectors with various effects.



VPL10



VPL10
Code 1501414

- 230V, 1W / 350 mA, IP55
- Led 3000 K, 50.000 h
- Electronic power supply
- Not dimmable
- Weight 0.1 kg
- max. 75 strands

VPL10 X
Code 1501412

- 230V, 2.1W / 700 mA, IP55
- Led 3000 K, 50.000 h
- Electronic power supply
- Not dimmable
- Weight 0.1 kg
- max. 75 strands



VPAC



VPAC-1527
Code 1501780 • 2700 K

VPAC-1530
Code 1501781 • 3000 K

VPAC-1540
Code 1501782 • 4000 K

- 230V / 16 W, 1500 lm, IP65
- L145 x W150 x H83
- Led, 50.000 h
- Mains dimmable
- Weight 2.0 kg



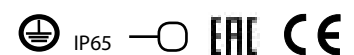
VPL30X



VPL30 XL
Code 1501487 • 3000 K

VPL30 XK
Code 1501488 • 4000 K

- 230V / 30 W, 1950 lm, IP65
- L250 x W150 x H83
- Led, 50.000 h,
- Max Ta +40 °C
- Electronic transformer
- Dimmable 1-10 V
- Weight 2.5 kg

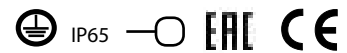


EFFECT	KT	T	CT	NL	FL
KALEIDOSCOPE, PRODUCED BY WHITE, BLUE AND CYAN COLOURED LEDS	.				
TWINKLE, CLEAR TWINKLE EFFECT, PRODUCED BY LEDS		.			
BLUE TWINKLE, PRODUCED BY BLUE AND CYAN COLOURED LEDS			.		
NORTHERN LIGHT, EFFECT WITH CHANGING COLOURS BLUE, GREEN AND MAGENTA, PRODUCED BY LEDS				.	
FIRE FLAME, EFFECT WITH CHANGING COLOURS ORANGE, YELLOW AND AMBER, PRODUCED BY LEDS					.

VPL30 WITH EFFECTS



- VPL30 series
- 230V / 20 W
 - L250 x W150 x H83
 - Led, 50.000 h
 - Electronic transformer
 - IP65
 - Weight 2.5 kg



TYPE	CODE	KT	T	CT	NL	FL
VPL30 KT	1501456	.				
VPL30 T	1501452		.			
VPL30 CT	1501453			.		
VPL30 NL	1501454				.	
VPL30 FL	1501455					.

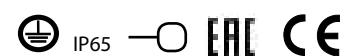
VPL30C BT



- RED 1.52 W 52 lm
- GREEN 1.98 W 107 lm
- BLUE 1.98 W 72 lm
- WHITE 1.95 W 146 lm

- VPL30C BT
Code 1501489
- VPL30C BT MASTER SYNCRO
Code 1501499
- VPL30C SLAVE SYNCRO
Code 1501484

- 230V / 7.5 W
- L250 x W150 x H83
- Led, 50.000 h
- Electronic transformer
- IP65
- Weight 2.5 kg



The projector VPL30C BT is equipped with wireless Bluetooth control option. The application can be loaded from AppStore for iPhone and iPad, and from GooglePlay for Android. With the application you can control the colours and brightness of your projector, create individual colour change programs or choose a ready-made program.



OPTIC FIBRES

With optic fibres light can be taken everywhere. There is no electricity or heat in the fibres, there is only light. When producing a fibre bundle the projector end is hermetically sealed to keep the fibre clean and later prevent it from melting. The projector end is protected with a thermal protection filter. All fibre joints and endings in the fibre bundle are made without adhesives using the so-called dry polishing method which gives the best light conductivity performance on the market.

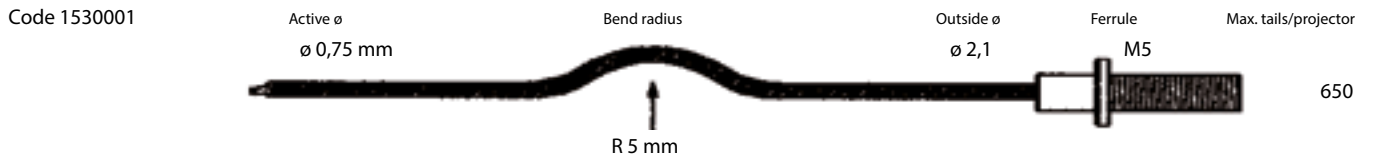
BARE PLASTIC SINGLE CORE FIBRES



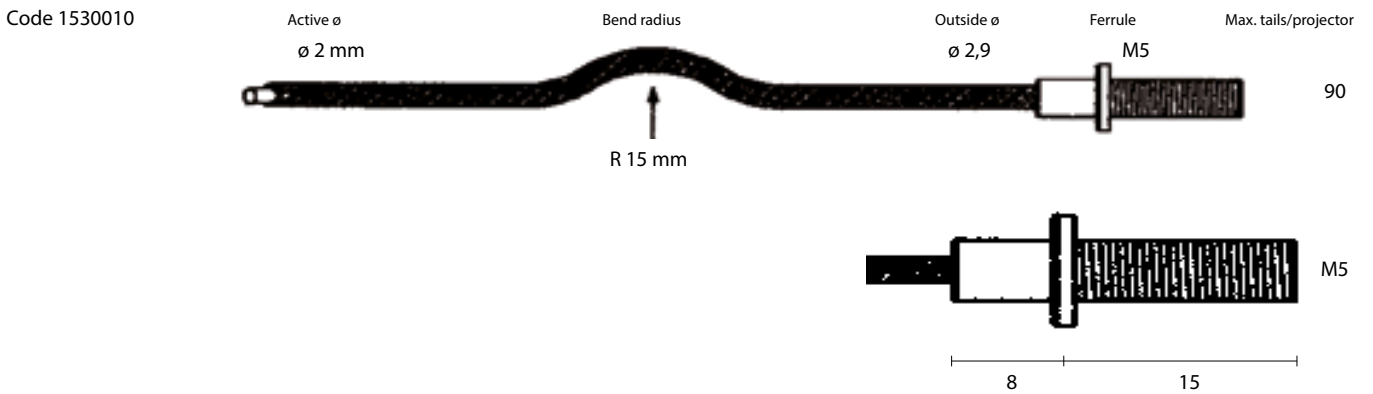
TYPE	CODE	ACTIVE Ø mm	OUTSIDE Ø mm	BEND RADIUS mm	FERRULE	MAX TAILS/PROJECTOR
CK 0.75	1530016	0.75	0.75	5	-	650
CK 1.0	1530017	1.0	1.0	7.5	-	390

PLASTIC SINGLE CORE FIBRES WITH BLACK OUTER TUBING

CK-FLEX 0.75



CK-FLEX 2



PLASTIC STRANDED FIBRES



- C-Flex plastic fibres are made of 0.75 mm strands, e.g. a 4 mm fibre consists of 25 single 0.75 mm strands.
- The light transmitting of plastic fibres is excellent, the light reduction is approx. 3% / m.
- The recommended ambient temperature is -40 °C - +80 °C.
- The recommended fibre length is max 10 m.



C-FLEX 2

Code	0,75 strands/ fibre	Active ø	Bend radius	Outside ø	Ferrule	Max. tails/projector
1530005	7	ø 2,1 mm	R 7,5 mm	ø 5	M5/M8	92

C-FLEX 3

Code	0,75 strands/ fibre	Active ø	Bend radius	Outside ø	Ferrule	Max. tails/projector
1530006	13	ø 3,0 mm	R 10 mm	ø 5,6	M5/M8	50

C-FLEX 4

Code	0,75 strands/ fibre	Active ø	Bend radius	Outside ø	Ferrule	Max. tails/projector
1530007	25	ø 4,3 mm	R 15 mm	ø 7	M8	26

C-FLEX 6

Code	0,75 strands/ fibre	Active ø	Bend radius	Outside ø	Ferrule	Max. tails/projector
1530008	50	ø 6 mm	R 20 mm	ø 10	M8	13

C-FLEX 7

Code	0,75 strands/ fibre	Active ø	Bend radius	Outside ø	Ferrule	Max. tails/projector
1530009	75	ø 7,5 mm	R 28 mm	ø 11,5	M10	8

GLASS FIBRES

GLASS FIBRES

- Glass fibres are produced of 0.05 mm glass strands. The fibre is flexible and easy to handle.
- The recommended ambient temperature of glass fibres is $-50\text{ }^{\circ}\text{C}$ - $+180\text{ }^{\circ}\text{C}$.

- Glass fibres do not wear out and they can be used both indoors and outdoors.
- The light transmitting is excellent, the light reduction is approx. 5% / m.
- The recommended fibre length is max 10 m.



S-FLEX 1

Code	Active \varnothing	Outside \varnothing	Bend radius	Ferrule	Max. tails/ projector
Code 1530300	$\varnothing 1,0\text{ mm}$	$\varnothing 2,2$	R 10 mm	B1	290

S-FLEX 1,5

Code	Active \varnothing	Outside \varnothing	Bend radius	Ferrule	Max. tails/ projector
Code 1530301	$\varnothing 1,4\text{ mm}$	$\varnothing 2,7$	R 10 mm	B1.5 / M5	182

S-FLEX 2

Code	Active \varnothing	Outside \varnothing	Bend radius	Ferrule	Max. tails/ projector
Code 1530302	$\varnothing 2,0\text{ mm}$	$\varnothing 3,85$	R 15 mm	B2 / M5	90

S-FLEX 3

Code	Active \varnothing	Outside \varnothing	Bend radius	Ferrule	Max. tails/ projector
Code 1530303	$\varnothing 3,0\text{ mm}$	$\varnothing 4,85$	R 20 mm	B3 / M5	52

S-FLEX 4

Code	Active \varnothing	Outside \varnothing	Bend radius	Ferrule	Max. tails/ projector
Code 1530304	$\varnothing 4,0\text{ mm}$	$\varnothing 6,35$	R 25 mm	B4 / M8	32

S-FLEX 6

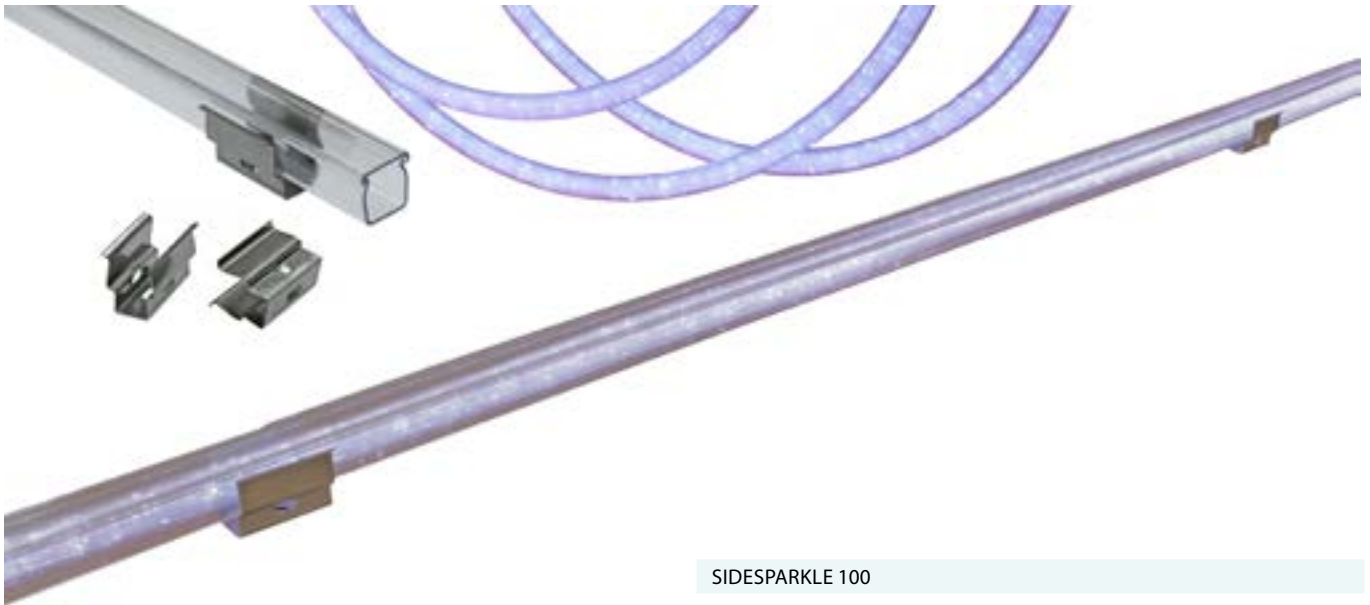
Code	Active \varnothing	Outside \varnothing	Bend radius	Ferrule	Max. tails/ projector
Code 1530306	$\varnothing 5,8\text{ mm}$	$\varnothing 8,7$	R 50 mm	M8	17

S-FLEX 7

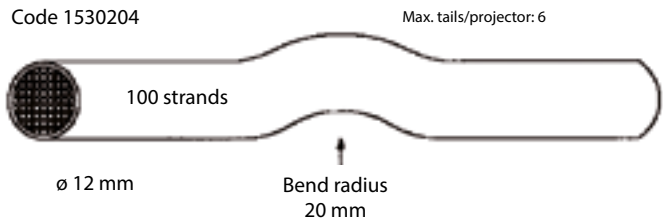
Code	Active \varnothing	Outside \varnothing	Bend radius	Ferrule	Max. tails/ projector
Code 1530307	$\varnothing 7,3\text{ mm}$	$\varnothing 10,1$	R 60 mm	M10	10

LATERAL PLASTIC FIBRES AND INSTALLATION ACCESSORIES

Lateral fibres are used to illuminate and emphasize various forms and shapes. They are commonly used in steam baths, spas and pool edges.



SIDESPARKLE 100



U-CHANNEL + COVER

Code 1555040

Ridig clear polycarbonate U-channel and cover for lateral fibre Sidesparkle 100. Length 1.0 m, width 18 mm and height 16 mm.

CLIP FOR U-CHANNEL

Code 1555041

Metallic clip to fasten the U-Channel for Sidesparkle 100.

MIRROR END

Code 1548428

LATERAL FIBRES AND ACCESSORIES

- Lateral fibres are usually lit from both ends, with the maximum fibre length of 10 m. Lateral fibre can also make a loop when its both ends go into the same projector. If lit from one end the maximum length is 3 m with a mirror end cup.
- The recommended ambient temperature of plastic lateral fibres is -40 °C - +80 °C.

LATERAL GLASS FIBRES

SIDELIGHT – GLASS FIBRE Ø 4.85 mm

- Sidelight glass fibre can be used to create e.g. decorative lighting and effects.
- Can be illuminated also by a projector with a colour effect.
- The recommended ambient temperature of Sidelight fibres is -40°C - $+200^{\circ}\text{C}$.
- Max 52 tails/projector.
- The recommended fibre length is max 3 m, lit from one end, or max 5 m, lit from both ends.
- The recommended projector VPL10.
- The minimum bend radius 15 mm.



Lateral fibres are used to illuminate and emphasize various forms and shapes. They are commonly used in saunas, steam baths, spas and pool edges.



Fittings are easy to install. Colours gold, chrome and white. Installation surface min. 6 mm. At the end of a fibre, the light angle is approx. 40-60°. With a lens fitting, the light can be focused in a 25-35° angle depending on the lens.

LR-M5

Code 1538008 Gold
Code 1538011 Chrome



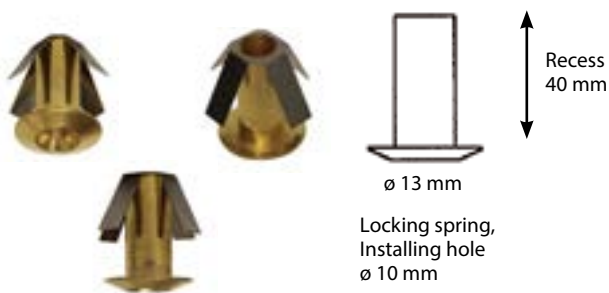
LR-M8

Code 1538005 Gold
Code 1538010 Chrome



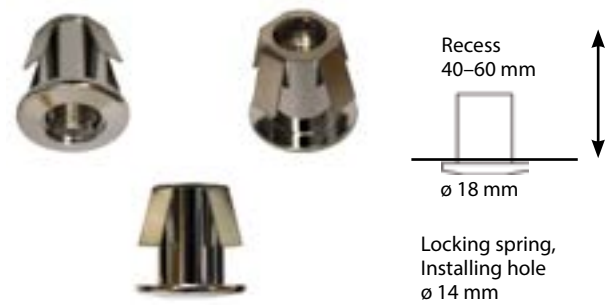
CR-01 M5

Code 1540048 Gold
Code 1540049 Chrome



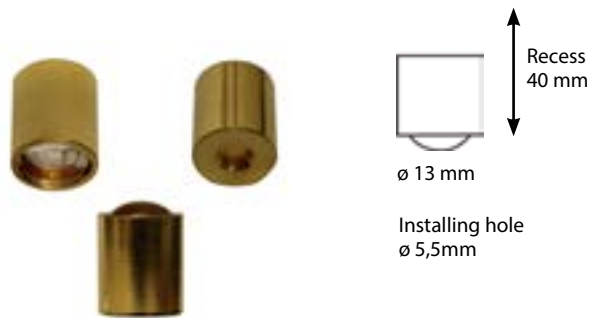
CR-02 M8

Code 1540050 White
Code 1540051 Gold
Code 1540052 Chrome



CR-09 M5

Code 1540082 Gold
Code 1540083 Chrome



CR-05 M8

Code 1540053 Gold, clear
Code 1540054 Chrome, clear
Code 1540100 Gold, satin
Code 1540101 Chrome, satin
Code 1540104 White, clear
Code 1540105 White, satin



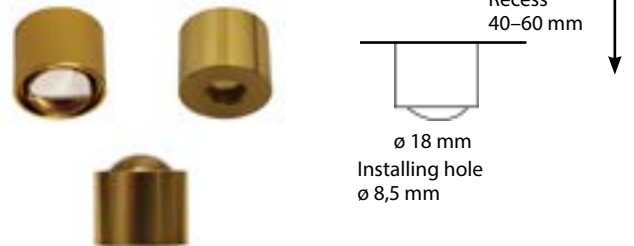
EXTENDABLE FERRULE M5 / M8

Code 1548405
• Extendable ferrule, converts 5 mm ferrule to 8 mm



CR-18 M8

Code 1538006 Gold
Code 1538009 Chrome



CRIMPABLE FERRULE M8

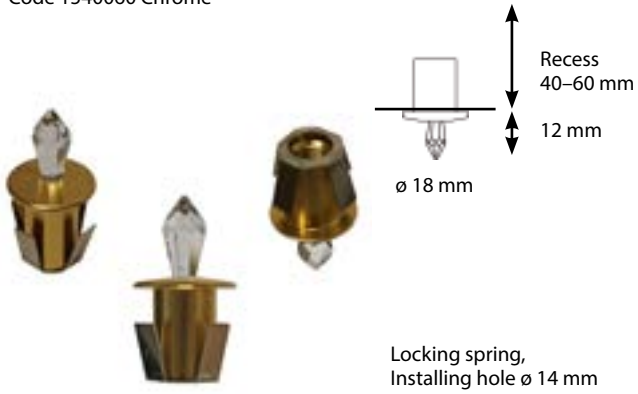
Code 1538020
• Extendable ferrule converts crimped or 5 mm ferrule to 8 mm



Crystals are easy to install with the enclosed locking spring. Installing hole \varnothing 14 mm. Colours gold and chrome. Installation surface min. 6 mm. Fibre recommendation C-Flex 4 – 6 M8. At the end of a fibre, the light angle is approx. 40-60°. The decorative crystal fittings can spread out the light to as much as 180°.

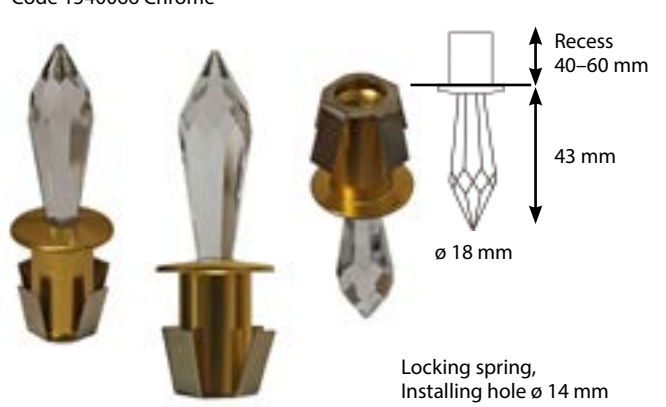
CRYSTAL 12

CR-12
Code 1540059 Gold
Code 1540060 Chrome



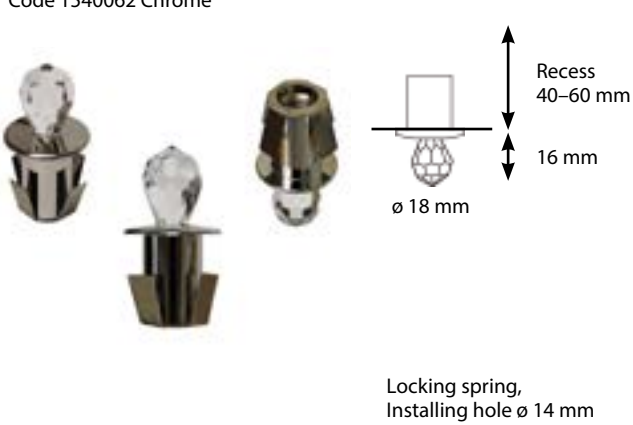
CRYSTAL 43

CR-43
Code 1540065 Gold
Code 1540066 Chrome



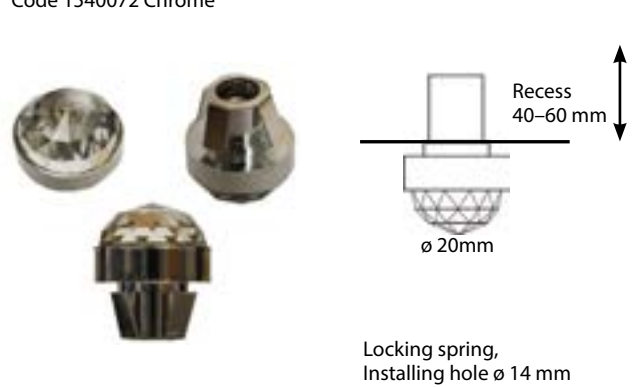
CRYSTAL 16

CR-16
Code 1540061 Gold
Code 1540062 Chrome



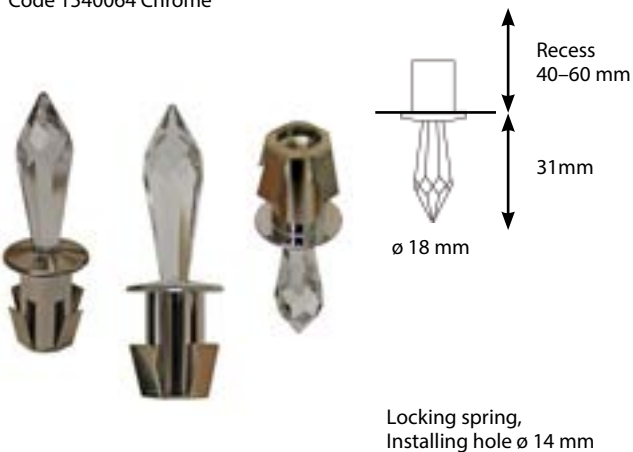
CRYSTAL 20

CR-20
Code 1540071 Gold
Code 1540072 Chrome



CRYSTAL 31

CR-31
Code 1540063 Gold
Code 1540064 Chrome



CRYSTAL 30

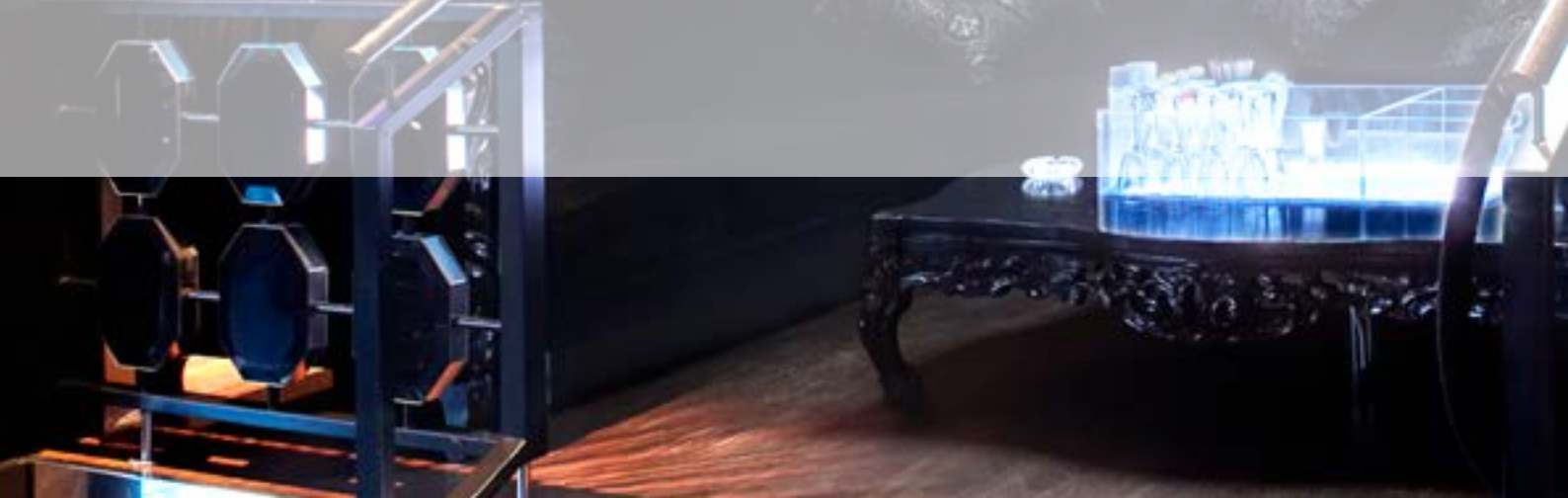
CR-30
Code 1540073 Gold
Code 1540074 Chrome





POWER SUPPLIES, CONNECTORS AND REMOTE CONTROLS

Power supplies are delivered in ready-to-install sets, which makes the installation quick and easy. The connection is made with quick-connect fittings.



LED DRIVER SETS 350 mA MAINS DIMMABLE

Code 1532281 • min 6, max 12 Leds 1 W
 Code 1532282 • min 9, max 17 Leds 1W
 Code 1532263 • min 15, max 18 Leds 1W

Led driver set with an independent direct current power supply. Compatible with the most common leading and trailing edge dimmers. Suitable with cables 1532207 or 1532232, page 47.



LED DRIVER SETS 350 mA MAINS DIMMABLE

Code 1532283 • min 6, max 12 Leds 1W
 Code 1532284 • min 9, max 17 Leds 1W
 Code 1532266 • min 15, max 18 Leds 1W

Led driver set with an independent direct current power supply. Compatible with the most common leading and trailing edge dimmers. Suitable with cables 1532208, page 47.



OTe 13

OTe 13
 Code 1532278
 Independent direct current power supply. Compatible with the most common leading and trailing edge dimmers.

- Dimming range 10...100 %
- Direct current output 350 mA
- Output power, load 6,5 - 13,5 W
- Ambient temperature Ta -20 - +55°C
- Max temperature on Tc dot 75°C
- Cables input 2x0,75 - 1,5 mm²
- Cables output 2x0,5 - 1,5 mm²
- Dimensions: L120 mm x W53 mm x H25 mm
- Weight 100 g



OTe 18

OTe 18
 Code 1532279
 Independent direct current power supply. Compatible with the most common leading and trailing edge dimmers.

- Dimming range 10...100 %
- Direct current output 350 mA
- Output power, load 9,5 - 19 W
- Ambient temperature Ta -20 - +55°C
- Max temperature on Tc dot 75°C
- Cables input 2x0,75 - 1,5 mm²
- Cables output 2x0,75 - 1,5 mm²
- Dimensions: L120 mm x W53 mm x H30 mm
- Weight 110 g



OTe 20

OTe 20
 Code 1532254
 Independent direct current power supply. Compatible with the most common leading and trailing edge dimmers.

- Dimming range 10...100 %
- Direct current output 350 mA
- Output power, load 16 - 20 W
- Max ambient temperature Ta 45°C
- Max temperature on Tc dot 70°C
- Cables input 2x0,5 - 2,5 mm²
- Cables output 2x0,5 - 2,5 mm²
- Dimensions: L109 mm x W53 mm x H33 mm
- Weight 100 g



LED DRIVER SETS 350 mA DIMMABLE 1-10 V

Code 1532260 • min 1, max 7 Leds 1W
 Code 1532268 • min 1, max 7 Leds 1W

Led driver set with an independent direct current power supply, dimming by potentiometer 1-10 V 1532025, page 47.

1532260



1532268



LL1X30-E-CV24

- Code 1532287
Independent constant voltage Led driver
- Constant voltage output 24V
 - Maximum output power 30 W
 - Suitable for use with LL1xCV-DA driver extension for DALI dimmable solutions
 - Ambient temperature range Ta -15 ... +45°C
 - Wire size 0.5 – 1.5 mm²
 - Dimensions L153 mm x W41 mm x H32 mm
 - Weight 150 g
 - IP20



LL1X75-E-CV24

- Code 1532288
Independent constant voltage Led driver
- Constant voltage output 24V
 - Maximum output power 75 W
 - Suitable for use with LL1xCV-DA driver extension for DALI dimmable solutions
 - Ambient temperature range Ta -15 ... +45°C
 - Wire size 0.5 – 1.5 mm²
 - Dimensions L180 mm x W52 mm x H30 mm
 - Weight 280 g
 - IP20



OT80 EASY / 24V

- Code 1532269
Independent constant voltage Led driver
- Constant voltage output 24V
 - RGB+W, can be pre-programmed
 - Maximum output power 80 W
 - Ambient temperature range Ta -20 ... +50°C
 - Maximum temperature on Tc dot 80°C
 - Cables input 2x0.5 – 2.5 mm²
 - Cables output 2x0.5 mm²
 - Dimensions L245 mm x W47 mm x H44 mm
 - Weight 290 g



LL1xCV-DA

- Code 1532289
The LL1-CV-DA DALI dimmable extension unit is designed to be used with constant voltage Led drivers, creating solutions for decorative lighting.
- DALI control input, 0.1 %-100 % dimming range
 - 1 kHz PWM dimming frequency
 - Stand-by power < 0.1 W
 - Duplicate terminals for parallel connection
 - Maximum output power 120 W
 - Ambient temperature range Ta -20 ... +50°C
 - Wire size 0.5 – 1.5 mm²
 - Dimensions L184 mm x W40 mm x H26 mm
 - Weight 70 g
 - IP20



OL1X30-E-CV24

- Code 1532293
Independent constant voltage Led driver
- Constant voltage output 24V
 - Maximum output power 30 W
 - Suitable for use with LL1xCV-DA driver extension for DALI dimmable solutions
 - Ambient temperature range Ta -15 ... +45°C
 - Wire size, load wires 0.75 mm²
 - Wire size, mains wires 1.0 mm²
 - Dimensions L131 mm x W42 mm x H34 mm
 - Weight 340 g
 - IP67



OL1X75-E-CV24

- Code 1532292
Independent constant voltage Led driver
- Constant voltage output 24V
 - Maximum output power 75 W
 - Suitable for use with LL1xCV-DA driver extension for DALI dimmable solutions
 - Ambient temperature range Ta -15 ... +45°C
 - Wire size, load wires 0.75 mm²
 - Wire size, mains wires 1.0 mm²
 - Dimensions L155 mm x W50 mm x H32 mm
 - Weight 454 g
 - IP67



OT CONTROL MODULES AND REGULATORS

- Code 1532025 Potentiometer 1 - 10 V
- Code 1545715 DALI control
- Code 1532221 Remote control
- Code 1532222 Infrared unit
- Code 1532223 Y-connector
- Code 1545736 Push button switch
- Code 1532224 PB Coupler
- Code 1532016 OT DIM 120W/24V



1532025
1545715



1532222



1532221



1532223



1545736

RGB / OT EASY 32

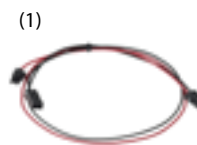
Code 1532226 DRIVER

- Built-in constant voltage power supply
- Output voltage 4 x 350 mA
- Maximum 5 x RGB Leds / power supply
- Power consumption 0-32 W
- Link up to 64 slave drivers per master driver
- Maximum ambient temperature $T_a +50^{\circ}\text{C}$
- Maximum temperature on T_c dot 75°C
- Also remote controllable
- Dimensions L223 mm x W96 mm x H32 mm



CABLES AND CONNECTORS FOR SERIAL CONNECTION

- (1) Code 1532207 500 mm
- (1) Code 1532232 1500 mm
- (2) Code 1532208 5000 mm
- (3) Code 1532209 5000 mm
- (4) Code 1532210 5000 mm
- (5) Code 1532212 200 mm
- (6) Code 1532213



(1)



(2)



(5)



(3)



(4)



(6)

HUUHTO EASY

Code 1532357
3000 K, length 1000 mm, 24 V/10 W

Code 1532356
3000 K, length 620 mm, 24 V/6 W

Code 1532355
3000 K, length 520 mm, 24 V/5 W

Code 1532354
3000 K, length 330 mm, 24 V/3 W

Code 1532353
3000 K, length 230 mm, 24 V/2 W



- Broad spread of light, suitable e.g. for illumination of kitchen units, shelves and ceiling and wall surfaces, IP44.
- To be noted in installation planning that the connector of the supply cable will add the total length with 20-40 mm
- Easy to install with the enclosed clips
- Profile size: width 18 mm, height 16 mm
- The total length of connected profiles is max 7 m

HUUHTO EASY is quick and easy to install. The profiles are connected to each other with enclosed connectors. The profiles are fastened invisibly on the installation surface with enclosed clips. The satin cover reduces the Led spot effect to minimum. The cover is mounted inside the profile edges, preventing the side glare of light.

Code 1532363
Connection wire 100 mm



Code 1532362
Corner piece 52 x 52 mm



Code 1532361
Adjustment fittings, a pair



Code 1532133
Supply cable 5 m,
90 degree angle



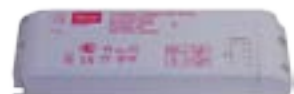
Code 1532118
Supply cable 5 m



Code 1532287
Power supply 30W



Code 1532288
Power supply 75W



HUUHTO EASY lights are suitable for a diverse use. They are ideal for kitchen unit lighting and well suited for indirect lighting through ceiling surface. They can also be used in the edge of a table to illuminate the front surface of drawers and cupboards. In these installations HUUHTO provides an excellent light inside the drawers when opening them.



HUUHTO EASY

Code 1532364
Socket outlet box 30W with a power supply and switch

Code 1532365
Socket outlet box without a power supply and switch



HUUHTO EASY series consists of profile lights of various lengths. They can be easily connected to each other for individual needs. The new Socket outlet box comes with or without an integrated power supply and lighting switch to complete the series.

HUUHTO

HUUHTO profile lights are delivered to order also for outdoor use and for moist premises with white light or colour changing RGB. The recommended length of one HUUHTO light profile is maximum 2 meters.





SYMBOLS



Class 1



Class 2



Regressed ceiling



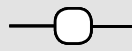
Regressed wall

IP20 IP44
IP55 IP68

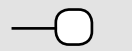
Degree of protection



Installation on flammable
surface possible



Continuous installation



Ending installation



Cariitti Oy
Niittyrinne 2B, FI-02270 Espoo, Finland
Tel. +358 9 221 9040, sales@cariitti.com
www.cariitti.com